

Mega Pixels IP Camera

Quick Start Operation
User Manual V1.1

Product Warranty Table

Product Name: _____ Date: _____
 Product S/N: _____ Company: _____
 Model No.: _____ Contact: _____
 Tel : _____ Zip Code: _____
 Address: _____ Fax: _____

Thank you for using this product. Here is warranty information

Warranty Notice:

This warranty is for your products with our S/N or ID.

- 1 With in warranty, we will provide after-sales service if there is any fault caused as result of product itself.
- 2 Please keep this warranty table if users need any service or repair.
- 3 Please provide correct information of the products for after-sales service.
- 4 Following reasons caused problem will be charged.

Man-made causes of equipment failure.

Because of using the environment do not meet the requirements of the product caused by the fault.

Due to force majeure cause product damage.

No warranty table and no correct product information.

Warranty has expired.

Important safety instructions

Below is about the correct way of using the product and to prevent danger to prevent property damage, please read this manual carefully before using equipment and strictly abide by when in use, please keep the instructions after reading.

1 Operating requirements

1.1 Power

a) In the product installation must strictly abide by the local electrical safety standards. Please use meet SELV (safe low voltage) conform to the requirements of Power supply and according to the IEC60950-1 Limited Power Source (Limited Power supply of rated voltage for vehicle with DC12V Power supply only).

b) Please load in the installation wiring when power equipment is easy to use, so that if necessary for emergency without electricity.

c) Before operating camera, please check whether the power supply is correct.

d) Protect the power cord from being walked on or pinched, particularly at plugs, power outlets and the point where they exit from the apparatus.

1.2 Using environmental requirements

a) Please avoid the equipment aligning on light (such as lighting, sun focused, otherwise easy to cause a too bright or pull light phenomenon (this is not a device failure) will also affect the life of device CMOS)

b) Please in the allowed range of humidity and temperature transport, use and storage equipment should not be placed in damp and dust extremely hot or cold unstable place or strong electromagnetic radiation or lighting conditions.

c) Please don't let the water or any liquid into the device, so as to avoid damage internal components.

d) In order to avoid heat savings, please don't block the ventilation equipment.

e) Transport, storage and installation process to prevent damage of stress caused by severe vibration on the product.

f) Products using recommended having lightning protection device to avoid venture better lightning protection.

g) Product using proposed having grounding to improve the reliability of equipment.

1.3 Operation and maintenance requirements

a) Do not disassemble this camera; there are no maintenance parts inside the machine.

b) Please do not directly touch device CMOS sensor, you can use a hair dryer to remove dust or dirt on the surface of the lens, if necessary, please use dry

cloth with alcohol wetting slightly, and gently wipe the dirt away.

c) Clean body with soft dry cloth to wipe, if encounter difficult to remove dirt, please use a clean soft cloth to dips in to take a small amount of neutral detergent to wipe, do not use such as alcohol volatile solvent, benzene or thinner, or with strong abrasive cleaner, otherwise it will damage the surface coating, or degrade the performance of the camera.

2 Warning

2.1 This product installation and maintenance shall be conducted by professional service personnel. Please don't disassemble and maintain device. And please, only use accessories stipulated by the manufacturer.

2.2 Please avoid laser beam device to light on CMOS sensor, it may be damaged by the radiation of laser beam.

3 Declarations

3.1 Products, please in kind prevail, user manual are for reference only.

3.2 Product updates, upgrades without prior notice, if any, before and after the product features in the product updates allow subtle differences.

3.3 The latest program and supplementary documentation please contact customer service with the company.

3.4 If there are any problems in using the camera, please contact the supplier or the company customer service.

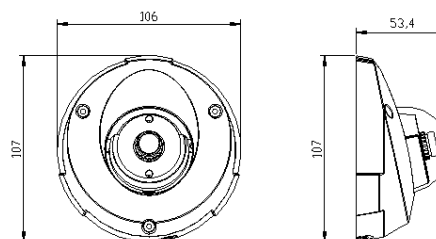
3.5 We try to ensure that the content of manual is complete and accurate, but due to the real environment is not uncertain, the partial data of value may be related to the specifications provided there is a deviation, if you have any questions or disputes, please refer to our company finally explained.

4 Inspections

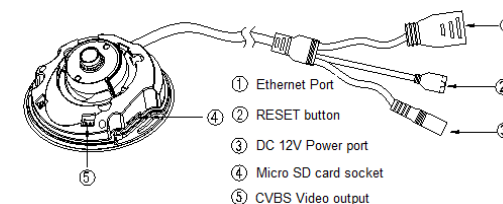
When the user receives the network camera, please check the equipment appearance without obvious damage, and open the product outer packing, check attachment provided product is complete.

5 Device Dimension

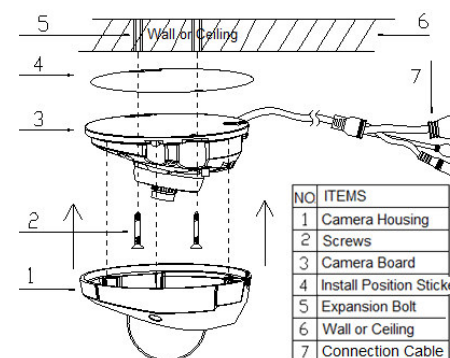
2.1 Dimension (mm):



2.2 Interface and Functions



6 Installations



Step one: Measure the height of installation on wall and mark the holes positions.

Step two: Drill the holes according to the measurement on wall.

Step three: Put the expansion bolt in the drilled hole.

Step four: Adjust the lens direction to match the surveillance area

Step Five: Fix camera bottom by screws

Step Six: Close camera housing

7 Login in Internet Explorer

7.1 Download OCX

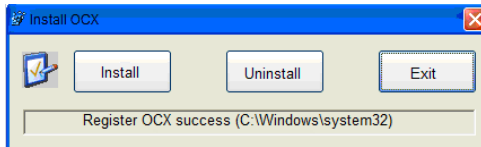
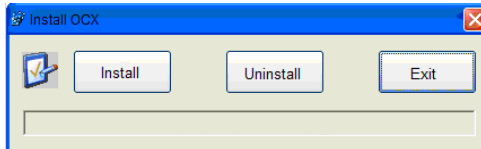
Run Internet Explorer to input Camera IP Address **192.168.55.100**

(Default IP Address 192.168.55.100)

You will see the following webpage



Click "File" button to download OCX, choose Run or Save, After download, you will have NetVideoX.exe, double click this file to install OCX:



7.2 Login IP Camera

Open Internet Explorer after installed OCX, Input Camera IP Default IP

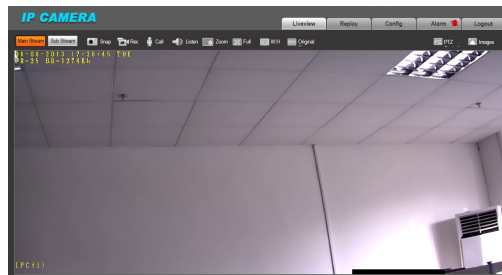
Address:192.168.55.100,

Default user name: admin,

Default password: admin,



7.3 Logged in Camera and see the live view



8 FAQ

Questions	Answers
Forgot password	Press "Reset" button on the camera. There is a button Reset on the camera backside or on the cable. Method: press "Reset" Button for 5 seconds, then camera will be reboot, and it will recovery to factory setting. The default password is admin.
No video display in IE	Download OCX to install, click "Install" to finish OCX installation. Then Login IP Camera again.(when OCX installed correct, it would show "Register OCX success"
Why Video delay	Answer 1: IP Camera frames set low. Please set frame rate a little bit high. Answer 2: Too many users login. Please let some users exit. Answer 3: Network speed too slow. Please improve network bandwidth.
Search NVS software can't find IP	Answer: Search NVS software uses multicast protocol to perform searching. But the firewall forbids multicast data packet. Please disable the firewall

Fail to visit IP camera via IE	Answer 1: Network is disconnected. Please connect your PC to network, checking whether it works properly or not. Check whether there is cable failure or network failure caused by PC virus, until PCs can be connected with the command of Ping. Answer 2: IP Address has been occupied by other devices. Please stop the connection between IP camera and Network, hook up IP camera to PC separately, reset IP address according to the proper operations recommended. Answer 3: IP addresses are in different subnets. Please check IP address, subnet masking address of the device and the settings of Gateway. Answer 4: physical addresses of network conflict with IP camera. Please modify the physical address of IP camera. Answer 5: Web port has been modified. Please contact Network Administrator to obtain related information. Answer 6: Unknown reason, Please press RESET to restore default settings then connect it again, the default IP address is 192.168.55.100, subnet mask is 255.255.255.0
--------------------------------	---